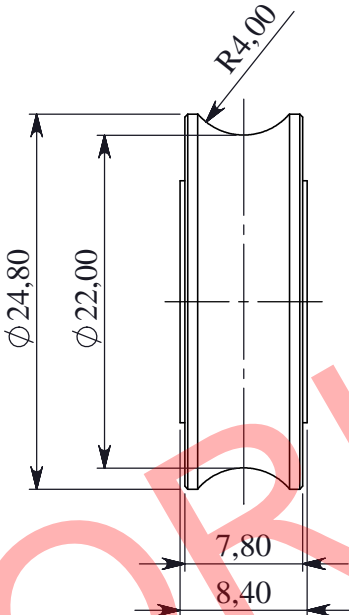
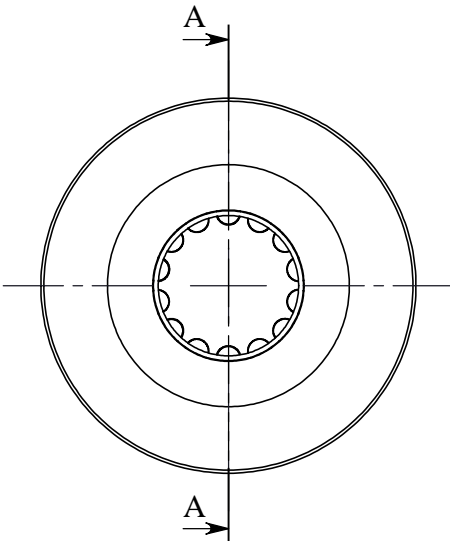
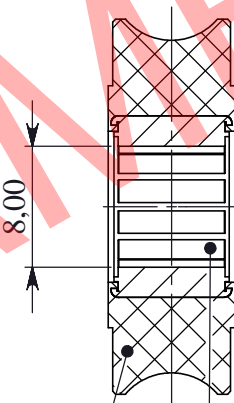


VETTORICAMBI

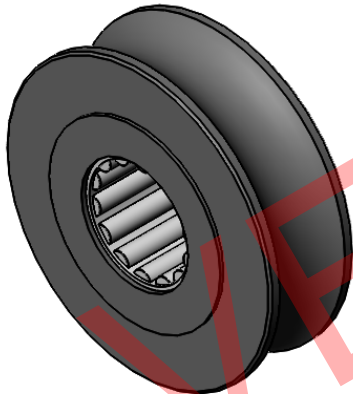


SEZIONE A-A



Nylon Black+
Fiber Glass
Covering

Standard NEEDLE
BEARING HK0808



100Cr6 Hardened /Grinded/Zinc Coated White
PIN

