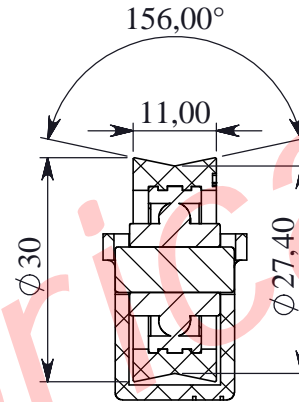
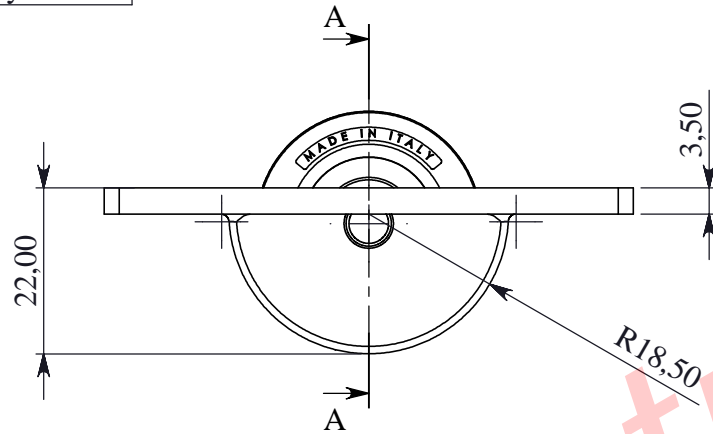


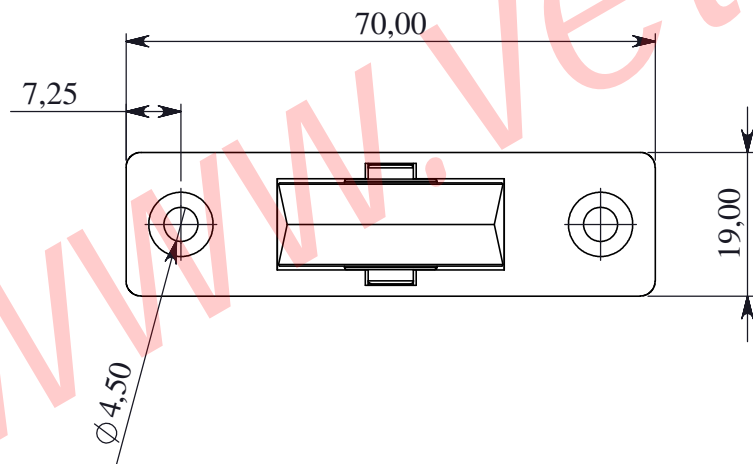
**CAPACITY LOAD  
50 KG**



"MADE IN ITALY"  
Mark printed  
directly by mould



SEZIONE A-A



Nylon PA6 Glass Fibre  
Moulded with  
"MADE IN ITALY"  
Mark

